



BOLDOROCCHI

ESTABLISHED IN 1909

POWER PLANTS APPLICATIONS



WORLDWIDE ENGINEERING & PRODUCTION EXCELLENCE

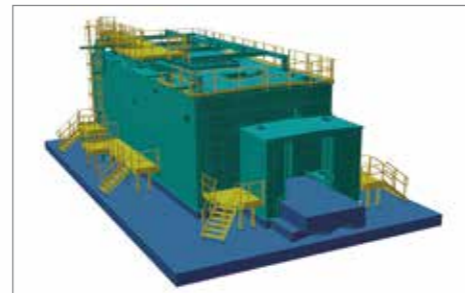
Boldrocchi Applications in Power Plants

100 years of experience and relationships with the most important Companies in the world have allowed Boldrocchi to become the preferred supplier for GT OM'S and power producers. Boldrocchi is a trusted name in the fields of industrial ventilation, heat exchange, high temperature, acoustic and air pollution control. Highly qualified staff can provide all over the world site presence for after sales service and plant revamping.

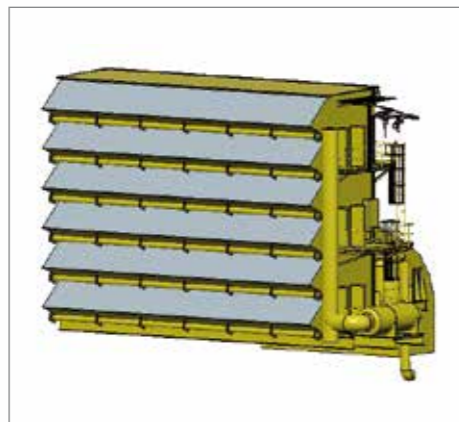
COGENERATION PLANTS

No other Company is better equipped and have the deep knowledge of Boldrocchi Group to handle the challenge of GT plants:

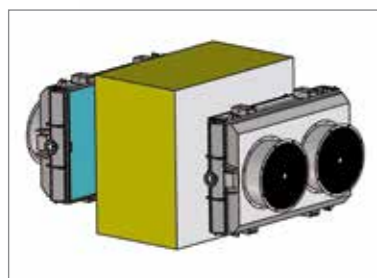
- Silenced Air Intake Systems for any Gas-turbine Power
- Enclosures, complete with Ventilation Lighting, Fire-fighting Plants
- Finned Tube Coolers for lube oil, water and compressed air, Service Plants
- Silenced Exhaust Systems
- Diffusers to Diverter
- Silenced By Pass Systems
- Diverter, hydraulically or electrically powered, on-off and modulating type
- Guillotine Dampers
- Blanking Plates
- Fresh Air Fans
- Fresh Air Dampers
- Silencers for HRSG Stack
- Single Blade & Multiblade Dampers
- Assistance to Erection and Commissioning
- Erections
- Post-sale Service



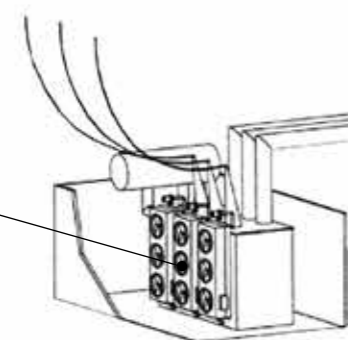
Gas-Turbine & Generator Enclosure



Silenced Inlet Filtration System - Single & Multiple Front



Power Transformer Cooler



Lube Oil System

TRADITIONAL POWER PLANTS

FOR STEAM BOILERS

- Forced Draft, Primary Air, Gas
- Re-circulation and Induced Draft Fans
- Air/Steam Pre-heaters
- Control Turn-key Plants
- Stack Dampers
- Steam Vents, Safety Valves
- Stack Silencers

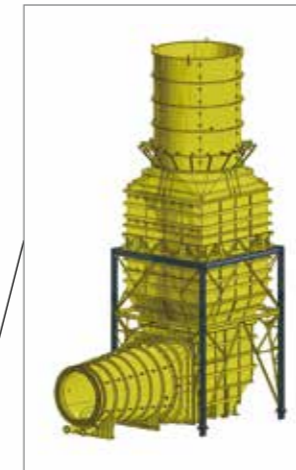
FOR POWER TRANSFORMERS AND GENERATORS

- Oil/Air Coolers ODAF, OFAF, ONAN
- Oil/Water Coolers OFWF
- Coolers for Air, Hydrogen and Bearings

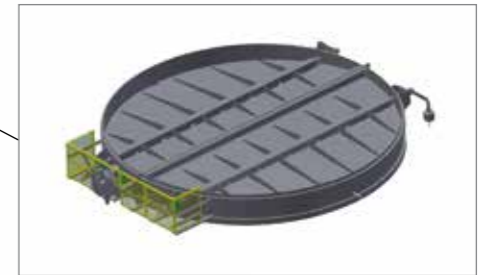
FOR DIESEL ENGINES, PUMPS, COMPRESSORS

- Enclosures, complete with Ventilation, Lightning, Fire-fighting Systems
- Exhaust gas Silencers

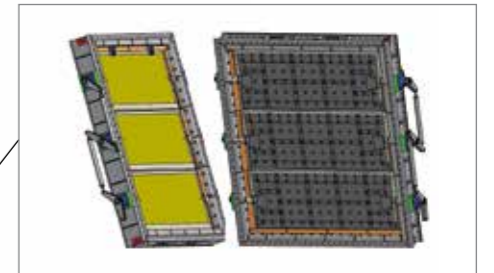
and **Silencing Systems for any Industrial Application**



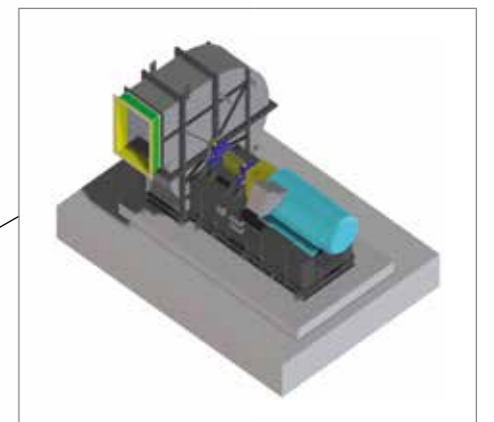
• Silenced Exhaust System
• By Pass System - Single & Multiblade Diverter



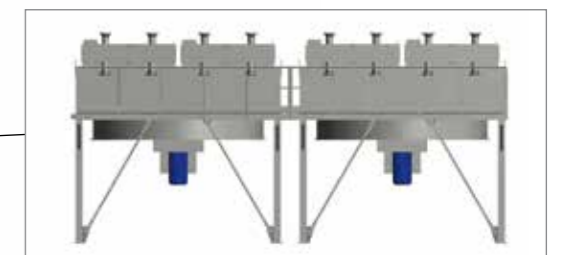
Stack Damper



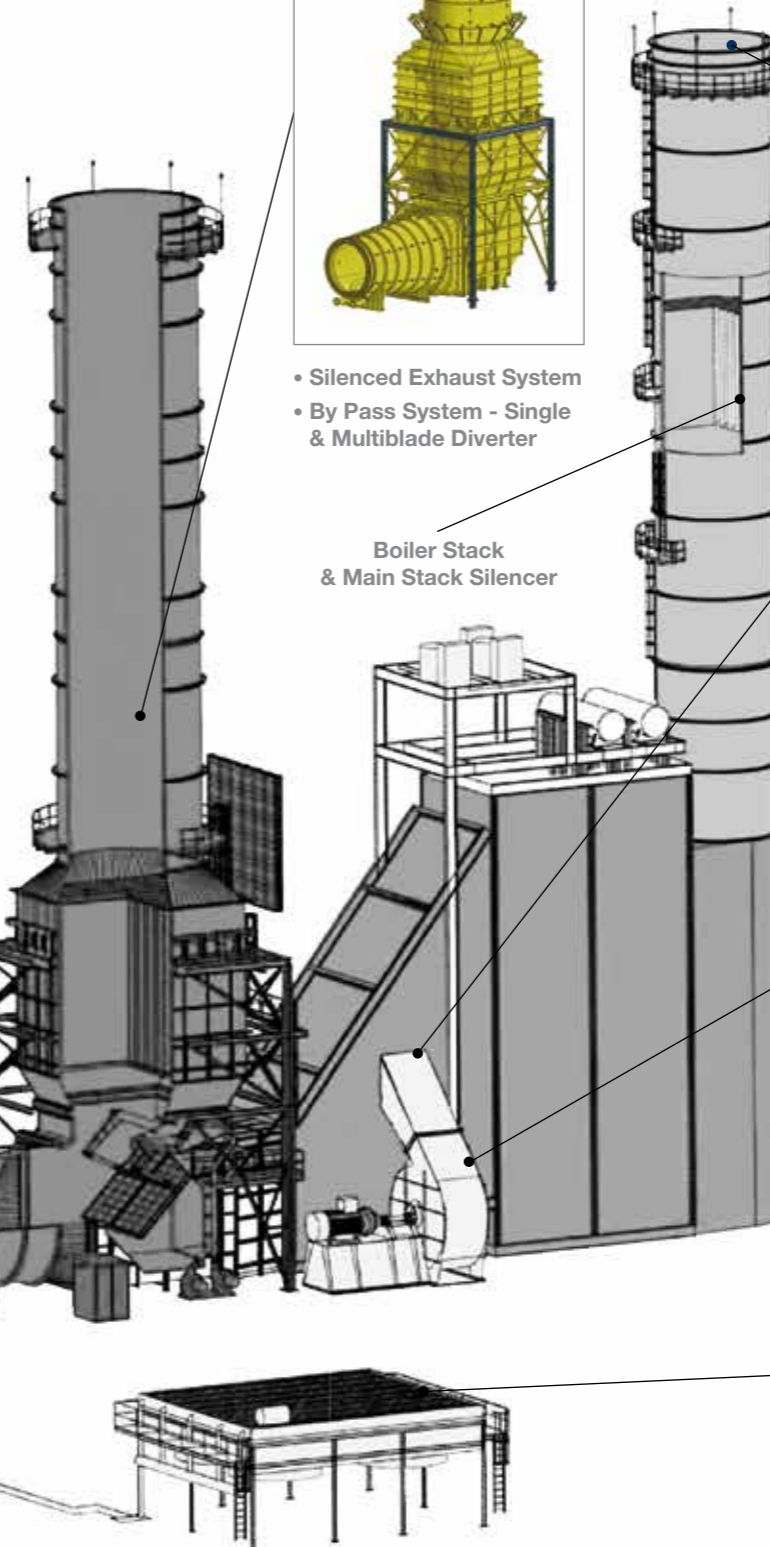
Fresh Air Damper



Fresh Air Fan



Finned Tube Cooler



SILENCED AIR INTAKE SYSTEMS

SILENCED BY PASS & EXHAUST SYSTEMS

H. D. DAMPERS-DIVERTERS TRANSFORMERS & GUILLOTINES

TESTS

Tailored Products

HEAVY DUTY FANS

COOLERS



TRIPLE FRONT STATIC TYPE



EXHAUST CHIMNEY BY PASS SYSTEM - GT ALSTOM



SINGLE FRONT STATIC TYPE



EXHAUST SYSTEM - GT V 94.2 HRSG AND BY PASS SYSTEM



INERTIAL & PULSE JET TYPE



BY PASS SYSTEM - GT GE FR6 BY PASS SYSTEM - GT GE FR6



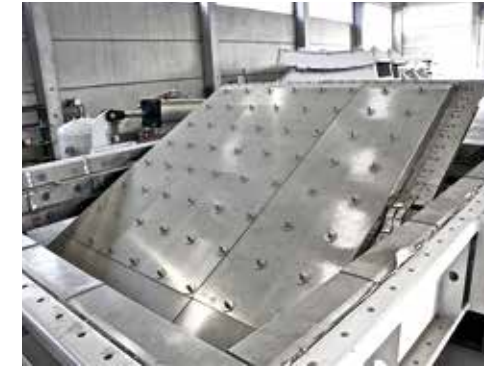
SINGLE FRONT PULSE JET TYPE



SING. BLADE DIVERTER DAMP.



MULTI BLADE DIVERTER DAMP.



FRESH AIR DAMP. 100% TIGHT



STACK DAMPER



390 KW ODAF



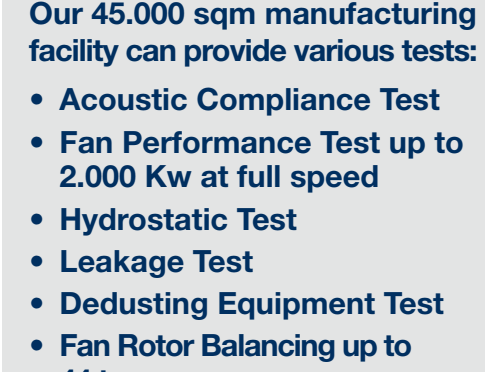
250 KW OFAF



ONAF/AXIAL FANS - ATR



450 KW OFWF DOUBLE TUBES



Acoustic Compliance Test



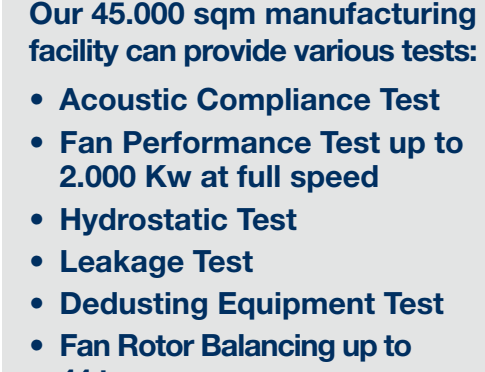
Fan Performance Test up to 2.000 Kw at full speed



Hydrostatic Test



Leakage Test



Dedusting Equipment Test



Fan Rotor Balancing up to 44 ton



Thermal Test



BOOSTER FAN DESOX



FLUIDIZATION AIR FAN



BLOWERS DOUBLE STAGE



FORCED DRAFT FAN



BOOSTER FAN DESOX



FRESH AIR FAN



COMBUSTION AIR FAN



INDUCED DRAFT FAN



CCWC - GHANA



CCWC - ALGERIA



CCWC - 8 PLANTS



WINTERIZ. LUBE OIL COOLER



BOLDROCCHI

ESTABLISHED IN 1909

HEADQUARTERS & SALES OFFICES

FANS & BLOWERS DIVISION

**Centrifugal Blowers
& Heavy duty Fans**
T. +39 039 2202.1 / 617515
F. +39 039 2754200 / 6014451
E-mail: di.vincenzo@boldrocchi.eu

HEAT EXCHANGE DIVISION

T. +39 039 2202.1
F. +39 039 2754200
Air Coolers
E-mail: ciceri@boldrocchi.eu
Electrical Machine Cooling
E-mail: ruffolo@boldrocchi.eu
Motors & Generators
E-mail: vertemati@boldrocchi.eu

ECOLOGIA DIVISION

Air Pollution Control
T. +39 039 2202300
F. +39 039 2754188
E-mail: maiocchi@boldrocchi.eu

AEROTO DIVISION

Industrial Noise Protection
T. +39 039 2202700
F. +39 039 2753498
E-mail: barbieri@boldrocchi.eu

DAMPERS DIVISION

Heavy duty Dampers
T. +39 039 2202700
F. +39 039 2753498
E-mail: barbieri@boldrocchi.eu

BOLDROCCHI T.E.

Cooling Towers
T. +39 039 4980020
F. +39 039 2324676
E-mail: btetorri@btetorri.com

EM&S

Equipment, Maintenance & Service
T. +39 039 2202.1 / 328 8672772
F. +39 039 2754200
E-mail: info@em-service.it

WORLDWIDE

FRANCE

Boldrocchi France
Ventilateurs & Depoussierage
E-mail: accueil@boldrocchi.fr

SPAIN

Boldrocchi Iberica
Madrid
E-mail: martin@boldrocchi.eu

EGYPT

Boldrocchi Egypt
Nasr City - Cairo
T. +20 (0)2 22.75.69.06 / 22.75.74.31
E-mail: maiocchi@boldrocchi.eu

MEXICO

Boldrocchi Ecologia Mexico
Mexico City
E-mail: info@boldrocchi.com.mx

BRAZIL

São Paulo
E-mail: maiocchi@boldrocchi.eu

CHINA

Shanghai
E-mail: di.vincenzo@boldrocchi.eu

INDIA

Boldrocchi India
Factory
Chennai
E-mail: india@boldrocchi.in
Fans Division Sales Office
Gurgaon - Mumbai - Kolkata
E-mail: nokesh@boldrocchi.in
Filters Division Sales Office
Pune
E-mail: rath@boldrocchi.in
E-mail: nokesh@boldrocchi.in



GROUP HEADQUARTER

Viale Trento e Trieste 93 • 20853 Biassono (MB) • Italy
T. +39 039 2202.1 • F. +39 039 2754200
E-mail: boldrocchi@boldrocchi.eu • www.boldrocchi.eu